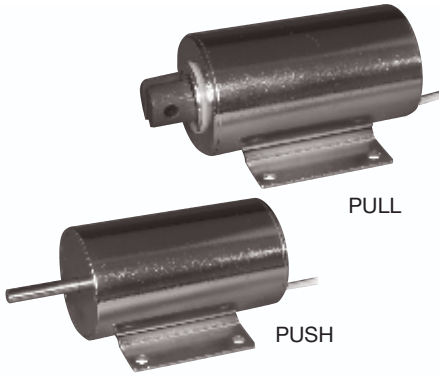
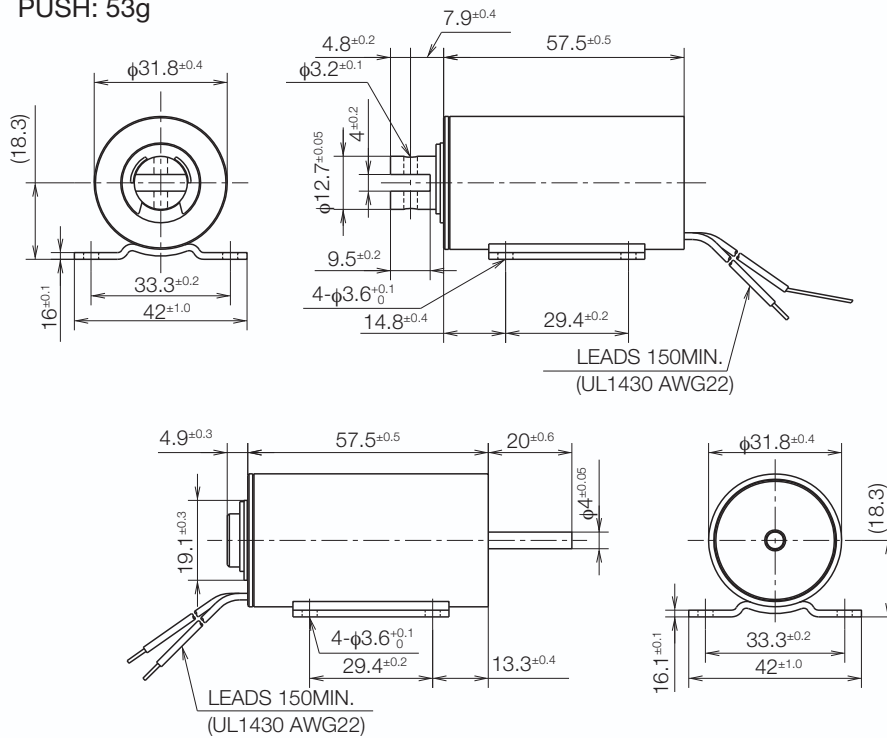
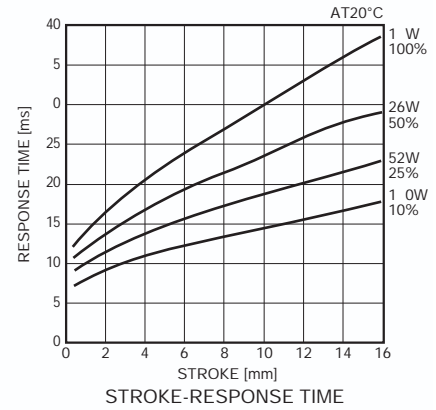
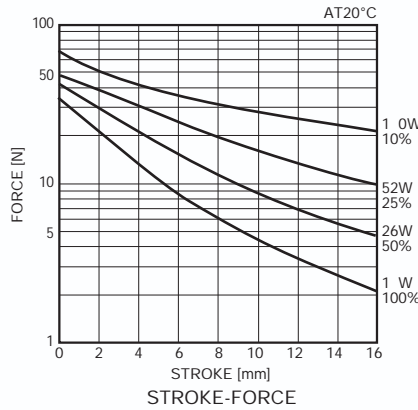


SIZE320 PULL, 320 PUSH TUBULAR SOLENOID

UNIT : mm
SHOWN ENERGIZED



WEIGHT : 299g
PLUNGER
PULL: 54g PUSH: 53g



COIL DATA

Heat sink : 130×130×3mm aluminum

duty cycle = $\frac{\text{"on" time}}{\text{"on" time} + \text{"off" time}} \times 100\%$			100% continuous	50% or less	25% or less	10% or less
MAX. "on" time in seconds			∞	390	60	18
watts at 20°C			13	26	52	130
ampere-turns at 20°C			1500	2121	3000	4743
AWG no.	resistance $\Omega \pm 10\%$ (at 20°C)	no. turns	volts DC			
21	1.40	496	4.3	6.1	8.6	13.5
22	2.52	700	5.4	7.7	10.9	17.2
23	3.52	780	6.8	9.6	13.6	22
24	6.04	1056	8.6	12.2	17.2	27
25	8.47	1176	10.9	15.4	22	34
26	14.1	1540	13.8	19.5	28	44
27	22.5	1970	17.3	24	35	55
28	36.1	2484	22	31	44	69
29	55.1	3060	27	38	54	86
30	88.1	3805	35	49	70	110
31	147	5044	44	62	88	139
32	214	5992	54	76	107	170
33	354	7744	69	98	138	218
34	566	9730	88	124	175	277
35	900	12200	111	157	222	351
36	1310	14150	139	197	278	440
37	2060	18100	172	243	344	544