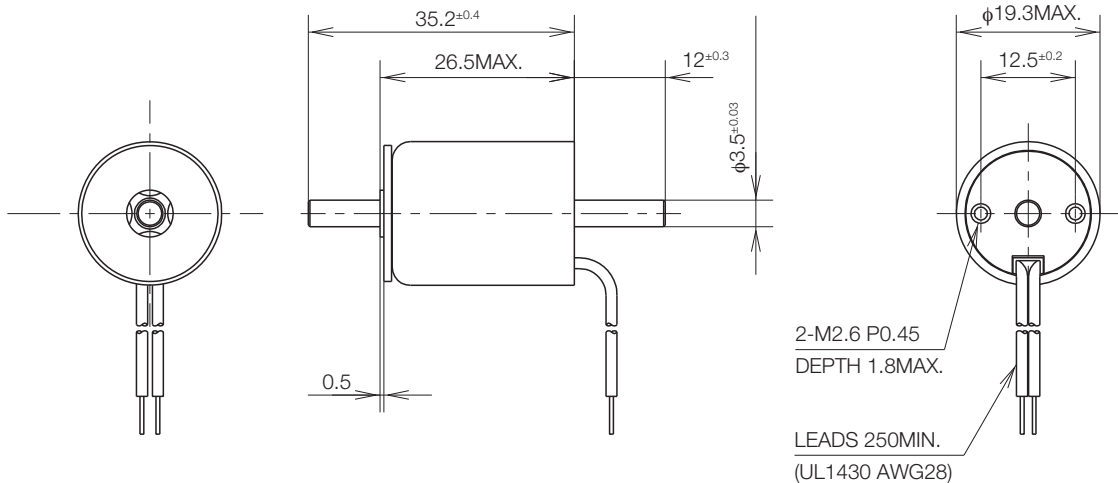
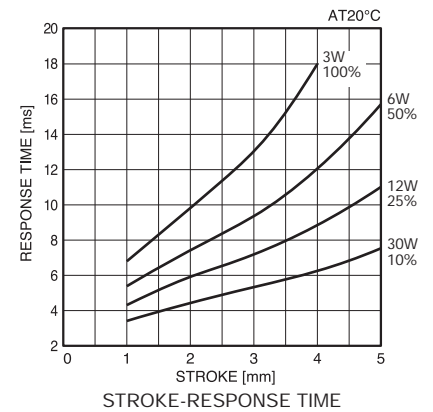
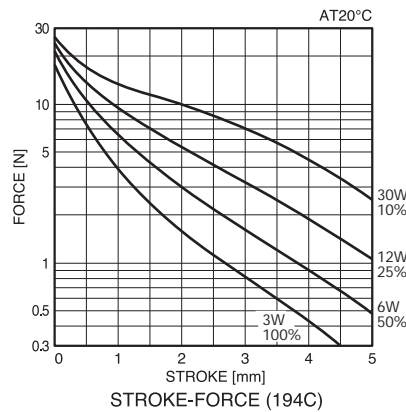


SIZE 194C SMALL PUSH PULL SOLENOID

UNIT : mm
SHOWN ENERGIZED



WEIGHT : 44g
PLUNGER: 9g



COIL DATA

without heat sink

type no.	resistance Ω±10%(at 20°C)	no. turns	volts DC				
			duty cycle= $\frac{\text{"on" time}}{\text{"on" time} + \text{"off" time}} \times 100\%$	100% continuous	50% or less	25% or less	10% or less
			MAX. "on" time in seconds	∞	100	36	7
			watts at 20°C	3	6	12	30
ampere-turns at 20°C			382	542	765	1211	
M194C-3V F194C-3V	2.7	360	3	4.2	6	9.5	
M194C-6V F194C-6V	11.8	770	6	8.5	12	19	
M194C-12V F194C-12V	49.5	1620	12	17	24	38	
M194C-24V F194C-24V	185	2950	24	34	48	76	