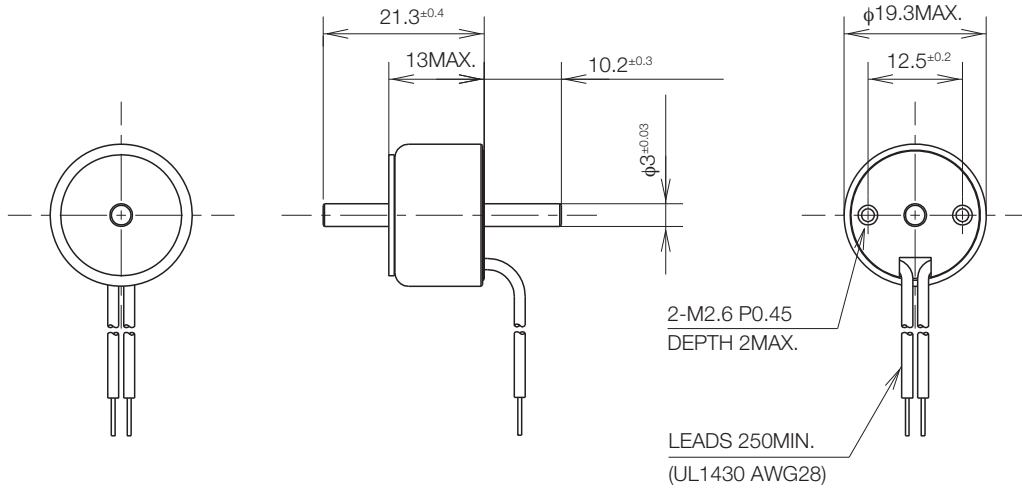
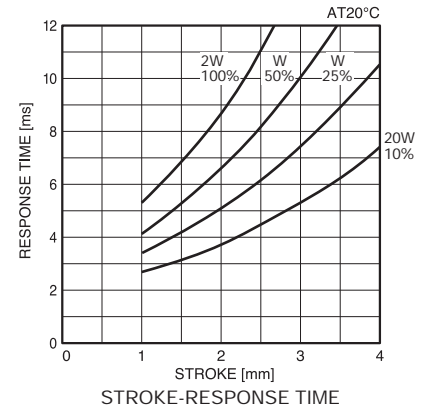
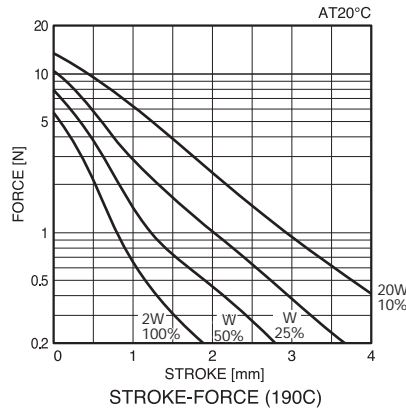


SIZE 190C SMALL PUSH PULL SOLENOID

UNIT : mm
SHOWN ENERGIZED



WEIGHT : 20g
PLUNGER: 4g



COIL DATA

without heat sink

type no.	resistance $\Omega \pm 10\%$ (at 20°C)	no. turns	volts DC				
			duty cycle = $\frac{\text{"on" time}}{\text{"on" time} + \text{"off" time}} \times 100\%$	100% continuous	50% or less	25% or less	10% or less
			MAX. "on" time in seconds	∞	100	36	7
			watts at 20°C	2	4	8	20
ampere-turns at 20°C			170	240	340	537	
M190C-3V F190C-3V	4.9	295	3	4.2	6	9.5	
M190C-6V F190C-6V	21.5	620	6	8.5	12	19	
M190C-12V F190C-12V	89	1230	12	17	24	38	
M190C-24V F190C-24V	307	2120	24	34	48	76	

Small Push-Pull Solenoids