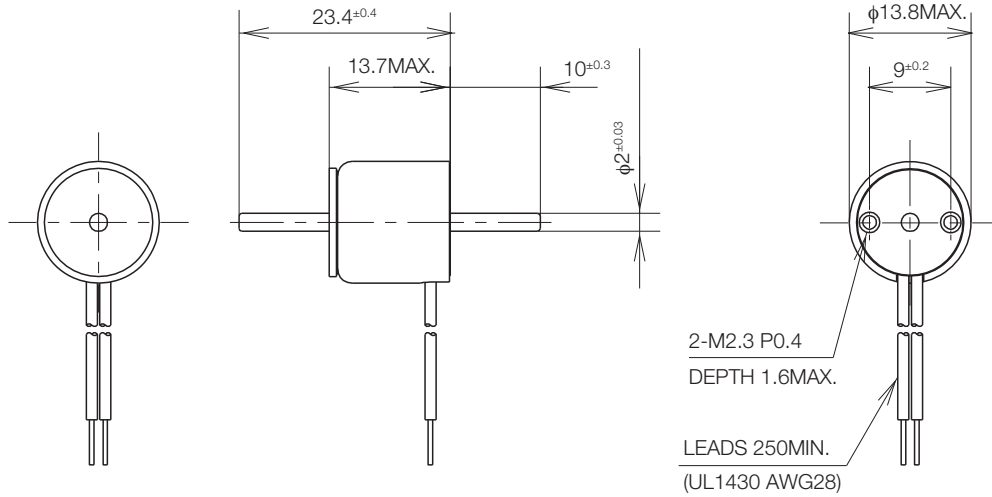
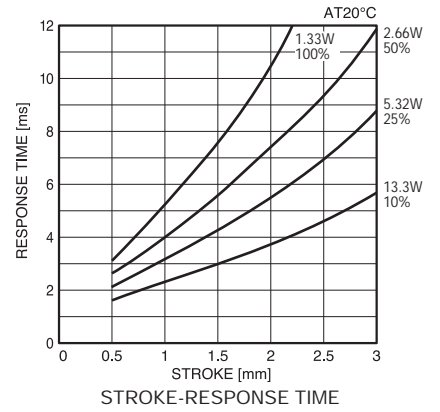
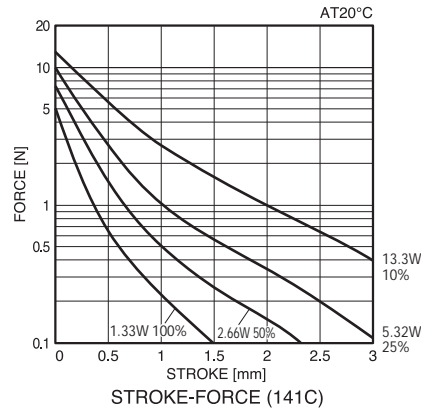


SIZE 141C SMALL PUSH PULL SOLENOID

UNIT : mm
SHOWN ENERGIZED



WEIGHT :12g
PLUNGER: 2.5g



COIL DATA

without heat sink

type no.	resistance $\Omega \pm 10\%$ (at 20°C)	no. turns	volts DC				
			duty cycle = $\frac{\text{"on" time}}{\text{"on" time} + \text{"off" time}} \times 100\%$	100% continuous	50% or less	25% or less	10% or less
			MAX. "on" time in seconds	∞	100	36	7
			watts at 20°C	1.33	2.66	5.32	13.3
ampere-turns at 20°C			133	189	267	422	
M141C-3V F141C-3V	6.5	330	3	4.2	6	9.5	
M141C-6V F141C-6V	30	700	6	8.5	12	19	
M141C-12V F141C-12V	97	1200	12	17	24	38	
M141C-24V F141C-24V	468	2600	24	34	48	76	