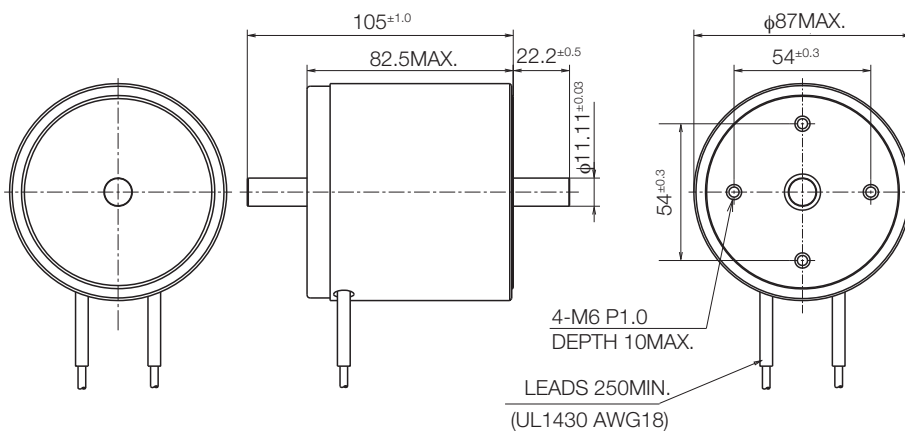
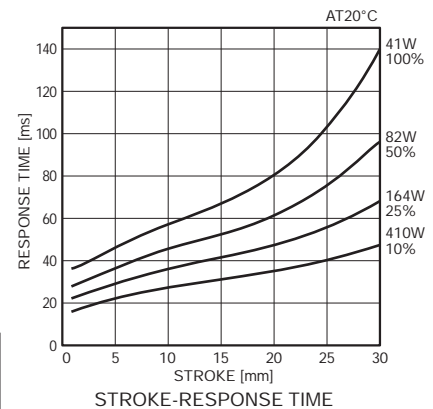
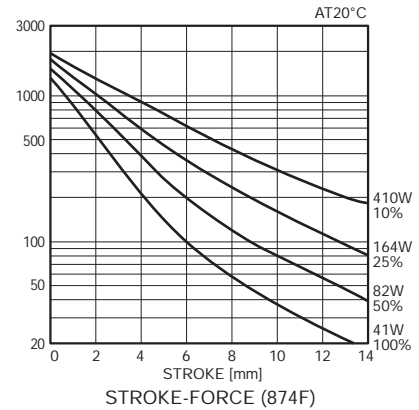
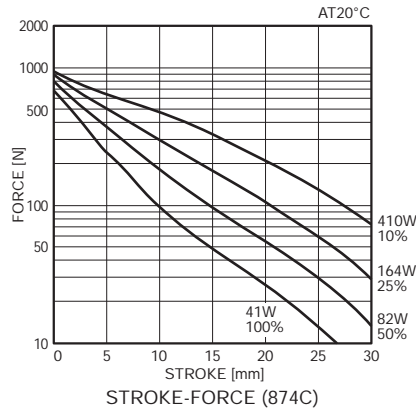


SIZE874C, 874F PUSH PULL SOLENOID

UNIT : mm
SHOWN ENERGIZED



WEIGHT : 3,000g
PLUNGER(C) : 500g
PLUNGER(F) : 535g



COIL DATA

Heat sink : 520×520×3mm aluminum

duty cycle= $\frac{\text{"on" time}}{\text{"on" time} + \text{"off" time}} \times 100\%$			100% continuous	50% or less	25% or less	10% or less
MAX. "on" time in seconds			∞	72	43	20
watts at 20°C			41	82	164	410
ampere-turns at 20°C			2590	3663	5180	8190
AWG no.	resistance Ω±10%(at 20°C)	no. turns	volts DC			
18	2.54	630	10	15	21	33
19	4.15	828	13	18	26	41
20	6.38	1047	16	22	32	50
21	11.14	1408	20	29	41	65
22	16.8	1723	25	36	51	80
23	25.8	2046	33	46	65	103
24	42.5	2711	41	57	81	128
25	66.3	3279	52	74	105	166
26	105	4151	66	93	131	207
27	165	5190	82	116	165	260
28	261	6500	104	147	208	329
29	422	8340	131	185	262	—
30	664	10230	168	238	336	—
31	968	12410	202	286	—	—
32	1520	15200	259	366	—	—