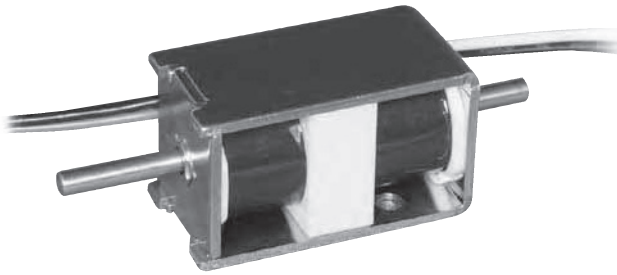
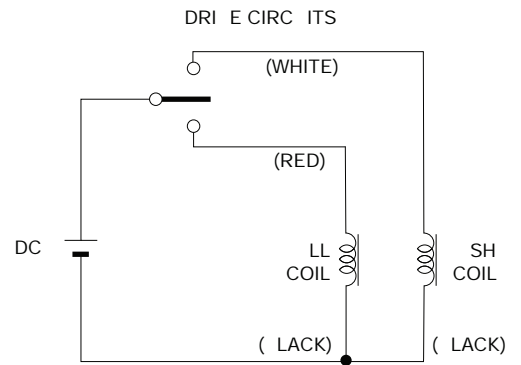
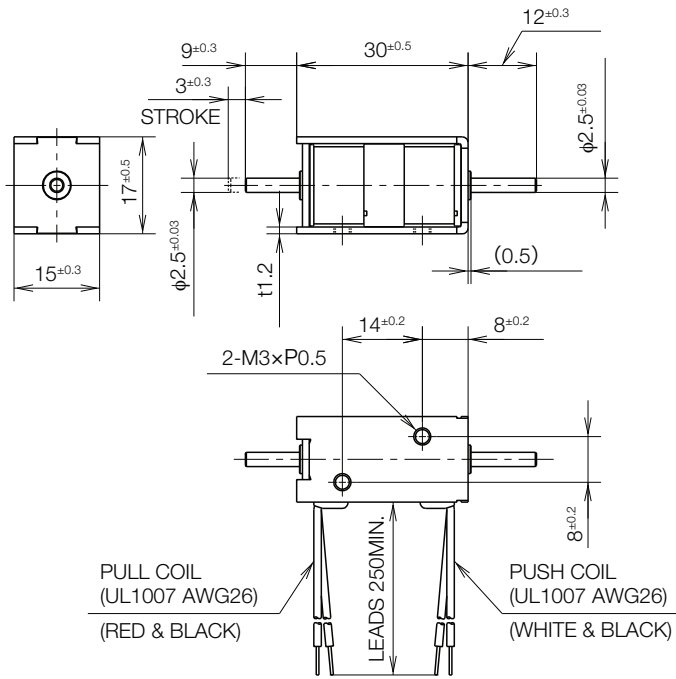
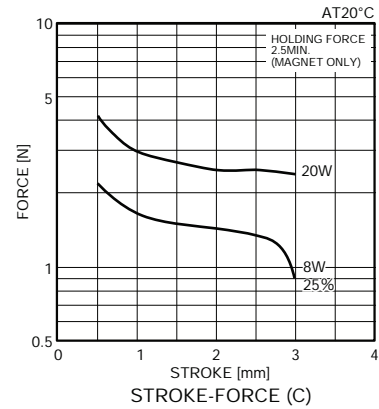


# SH2LC0730 PERMANENT MAGNET SOLENOID

UNIT : mm



WEIGHT : 35g  
PLUNGER: 7g



SHOWN ENERGIZED POSITION WHEN A VOLTAGE IS APPLIED TO PUSH COIL  
STROKE: 3mm±0.3

## COIL DATA

without heat sink

	duty cycle= $\frac{\text{"on" time}}{\text{"on" time} + \text{"off" time}} \times 100\%$		10% or less
	MAX. "on" time in seconds		2
	watts at 20°C		8
	ampere-turns at 20°C		368
type no.	resistance $\Omega \pm 10\%$ (at 20°C)	no. turns	volts DC
SH2LC0730-06	4.5	285	6
SH2LC0730-12	18	540	12
SH2LC0730-24	72	1100	24

Permanent Magnet(Self Holding) Solenoids