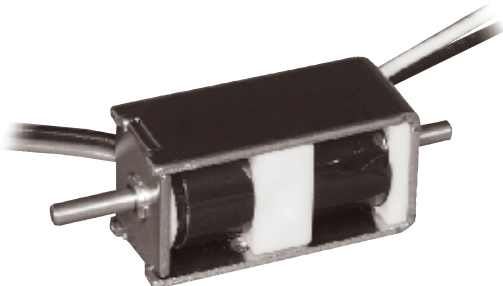
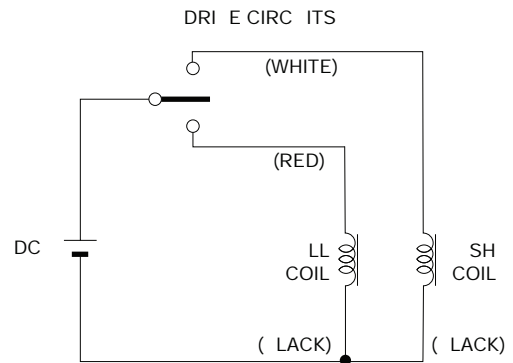
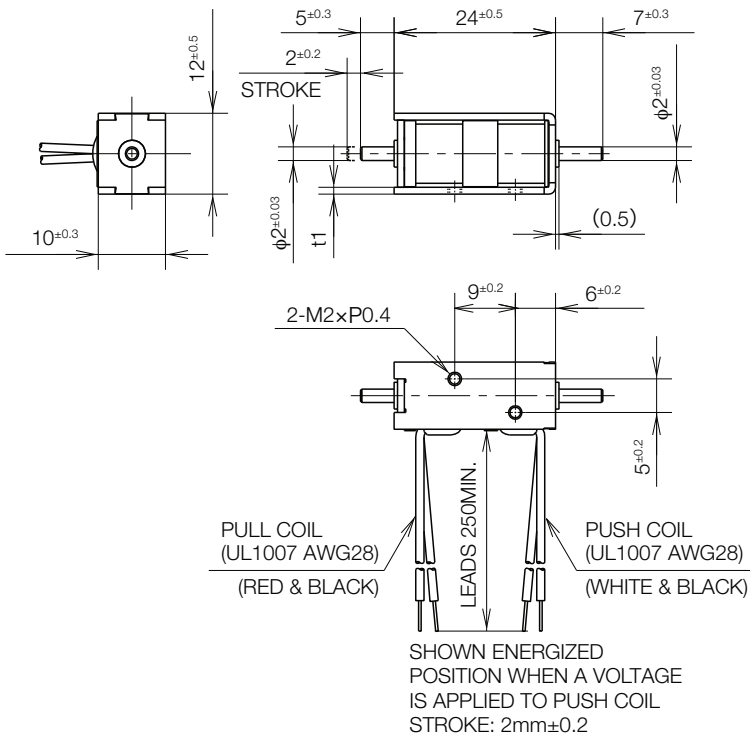
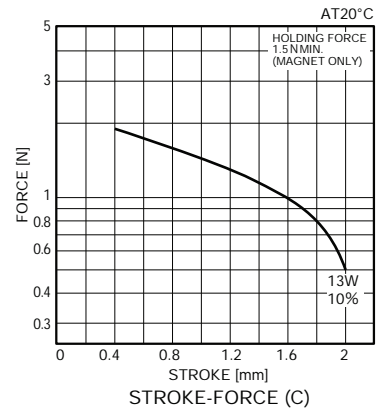


SH2LC0524 PERMANENT MAGNET SOLENOID

UNIT : mm



WEIGHT : 15g
PLUNGER: 3g



COIL DATA

without heat sink

	duty cycle = $\frac{\text{"on" time}}{\text{"on" time} + \text{"off" time}} \times 100\%$		10% or less
	MAX. "on" time in seconds		1
	watts at 20°C		13
	ampere-turns at 20°C		364
type no.	resistance $\Omega \pm 10\%$ (at 20°C)	no. turns	volts DC
SH2LC0524-06	2.8	166	6
SH2LC0524-12	11.1	345	12
SH2LC0524-24	44.3	670	24