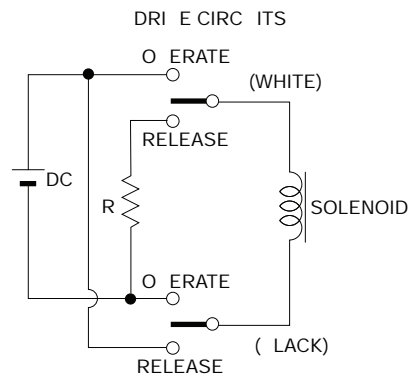
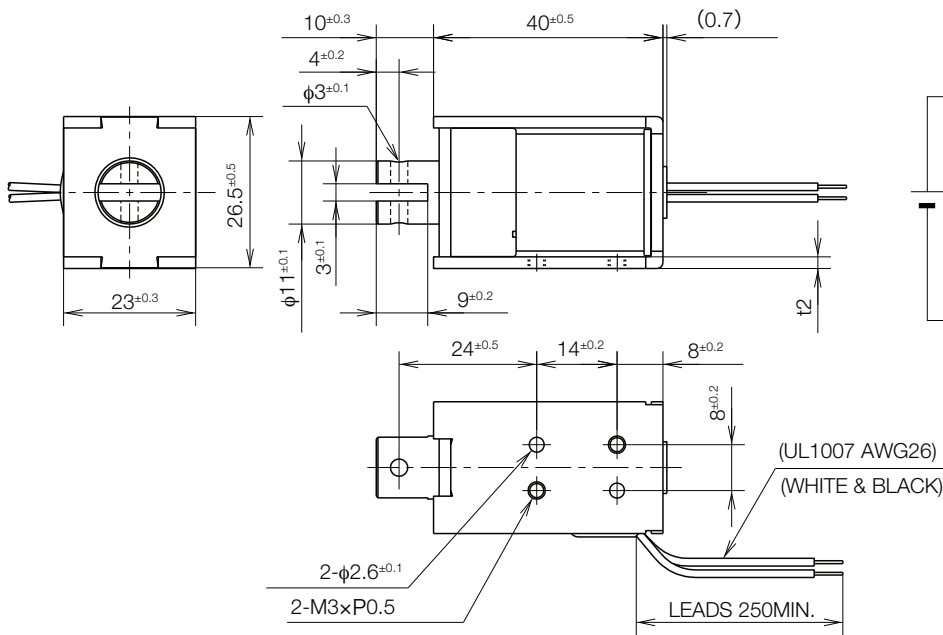
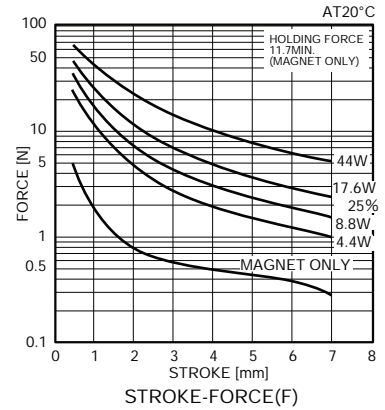
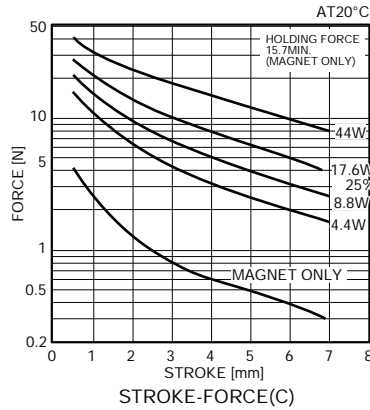


SH1LC1140, SH1LF1140 PERMANENT MAGNET SOLENOID

UNIT : mm
SHOWN ENERGIZED



WEIGHT : 120g
PLUNGER: 28g



COIL DATA

without heat sink

	duty cycle = $\frac{\text{"on" time}}{\text{"on" time} + \text{"off" time}} \times 100\%$		25% or less	release current (reference)
	MAX. "on" time in seconds		20	
	watts at 20°C		17.6	
	ampere-turns at 20°C		968	
type no.	resistance $\Omega \pm 10\%$ (at 20°C)	no. turns	volts DC	ampere
SH1LC1140-06 SH1LF1140-06	2.1	340	6	1060mA
SH1LC1140-12 SH1LF1140-12	8.2	640	12	560mA
SH1LC1140-24 SH1LF1140-24	32.7	1360	24	260mA