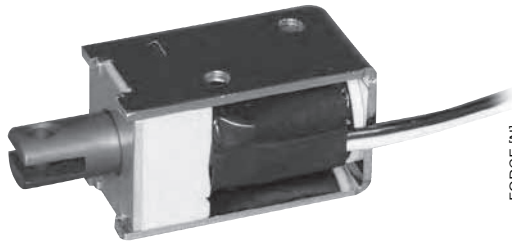
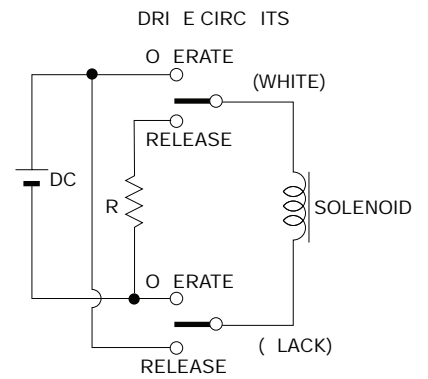
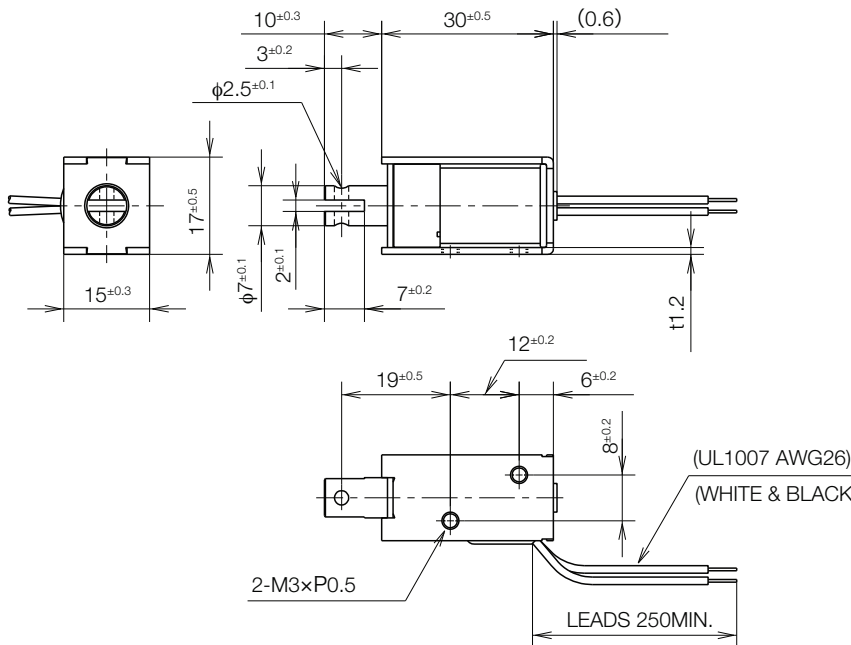
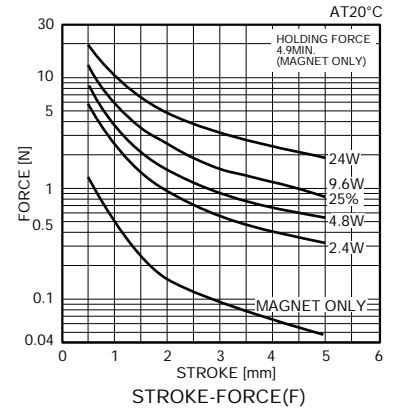
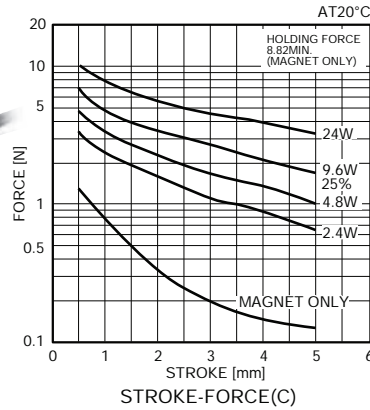


# SH1LC0730, SH1LF0730 PERMANENT MAGNET SOLENOID

UNIT : mm  
SHOWN ENERGIZED



WEIGHT : 38g  
PLUNGER: 9.2g



## COIL DATA

without heat sink

	duty cycle= $\frac{\text{"on" time}}{\text{"on" time} + \text{"off" time}} \times 100\%$		25% or less	release current (reference)
	MAX. "on" time in seconds		10	
	watts at 20°C		9.6	
	ampere-turns at 20°C		614	
type no.	resistance Ω±10%(at 20°C)	no. turns	volts DC	ampere
SH1LC0730-06 SH1LF0730-06	3.8	385	6	650mA
SH1LC0730-12 SH1LF0730-12	15	780	12	320mA
SH1LC0730-24 SH1LF0730-24	60	1530	24	160mA

Permanent Magnet(Self Holding) Solenoids