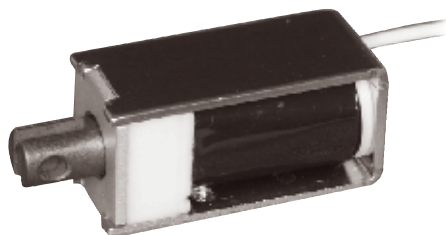
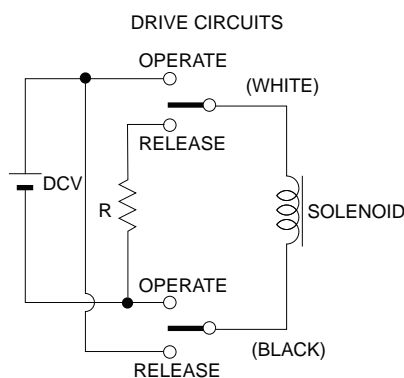
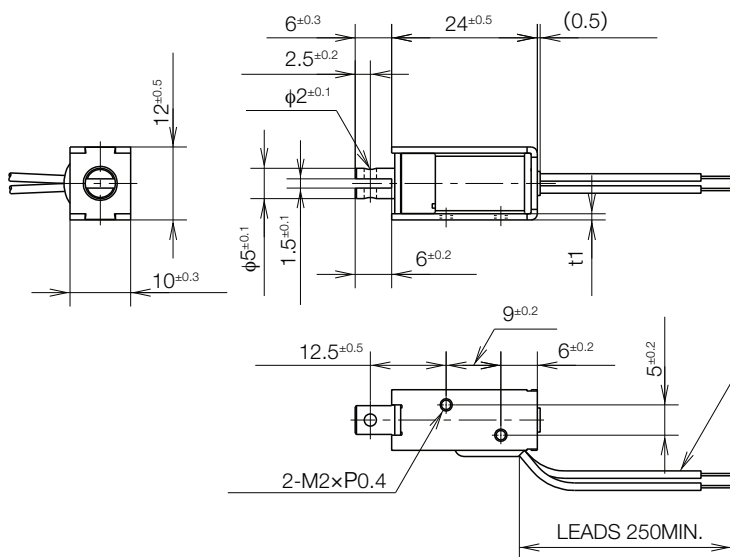
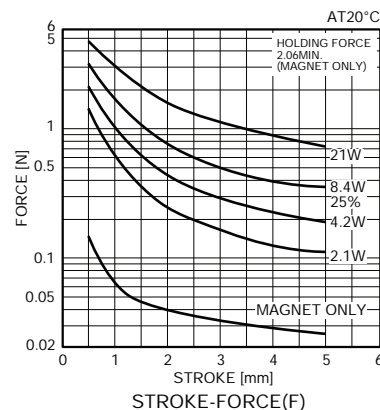
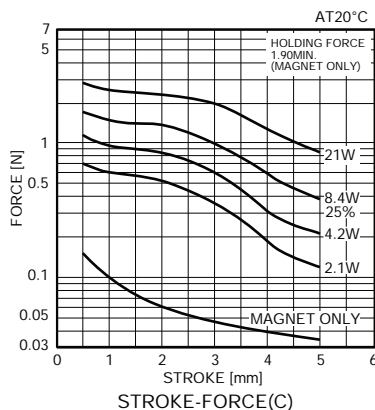


SH1LC0524, SH1LF0524 PERMANENT MAGNET SOLENOID

UNIT : mm
SHOWN ENERGIZED



WEIGHT : 14g
PLUNGER: 3.3g



COIL DATA

without heat sink

	duty cycle = $\frac{\text{"on" time}}{\text{"on" time} + \text{"off" time}} \times 100\%$		25% or less	release current (reference)
	MAX. "on" time in seconds		5	
	watts at 20°C		8.4	
	ampere-turns at 20°C		452	
type no.	resistance $\Omega \pm 10\%$ (at 20°C)	no. turns	volts DC	ampere
SH1LC0524-06 SH1LF0524-06	4.3	340	6	360mA
SH1LC0524-12 SH1LF0524-12	17.1	630	12	200mA
SH1LC0524-24 SH1LF0524-24	68.6	1260	24	100mA