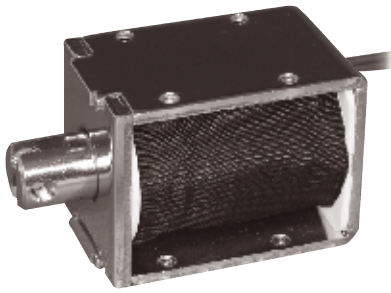
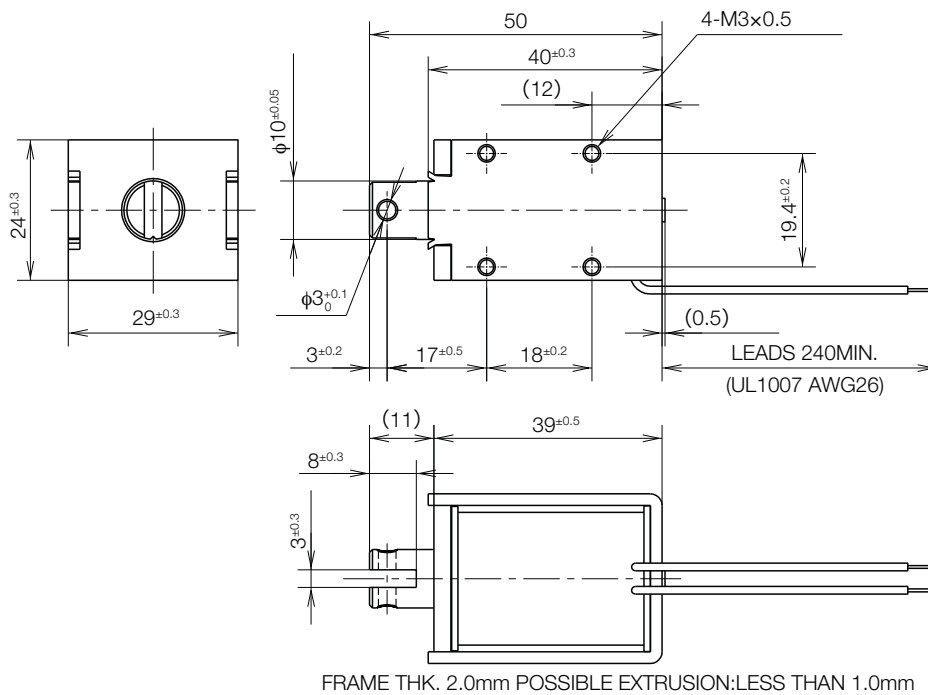
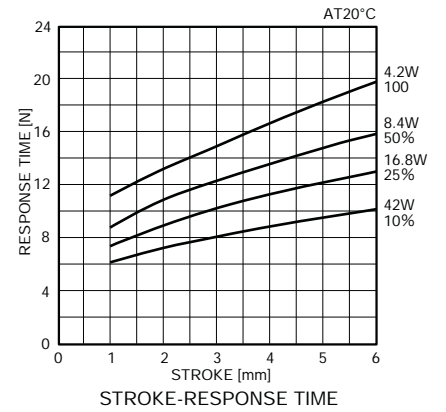
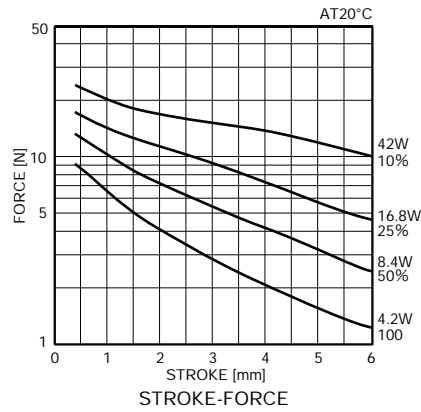


SK1040A OPEN FRAME SOLENOID

UNIT : mm
SHOWN ENERGIZED



WEIGHT : 136g
PLUNGER: 23g



Open Frame Solenoids

COIL DATA

type no.	resistance $\Omega \pm 10\%$ (at 20°C)	no. turns	without heat sink				
			duty cycle = $\frac{\text{"on" time}}{\text{"on" time} + \text{"off" time}} \times 100\%$	100% continuous	50% or less	25% or less	10% or less
			MAX. "on" time in seconds	∞	100	36	7
			watts at 20°C	4.2	8.4	16.8	42.0
ampere-turns at 20°C			635	898	1270	2008	
			volts DC				
SK1040A06AA	9	1020	6	8.5	12	19	
SK1040A12AA	34	2000	12	17	24	38	
SK1040A24AA	137	3625	24	34	48	76	
SK1040A48AA	549	7420	48	68	96	152	