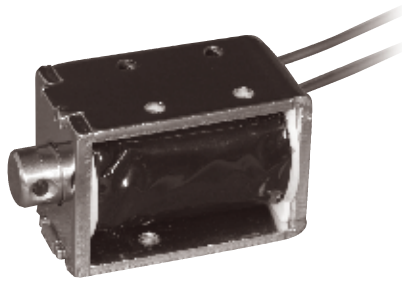
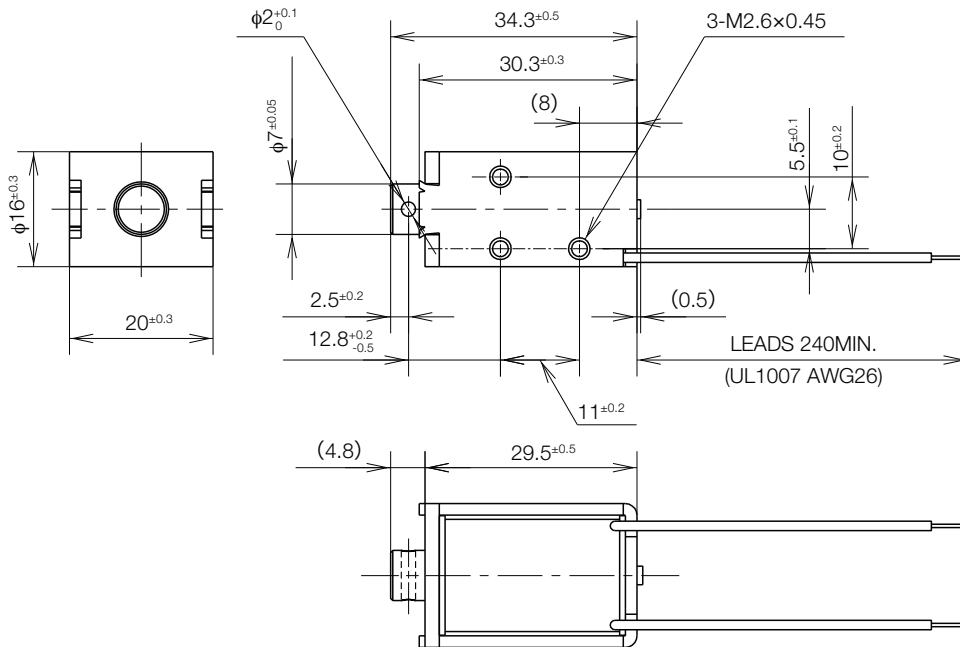
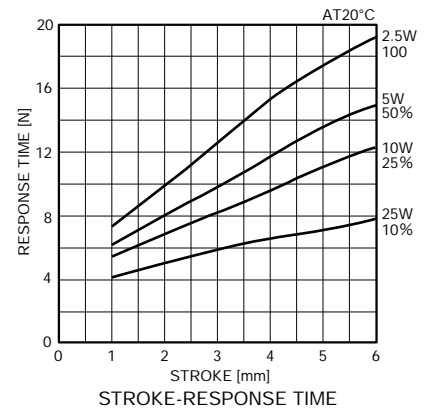
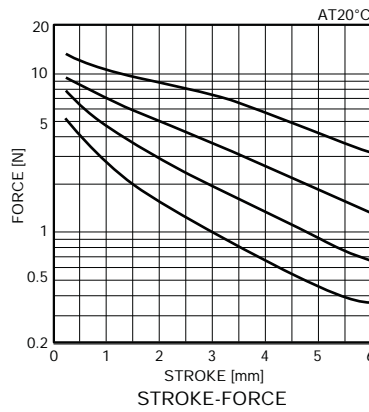


# SK0730A OPEN FRAME SOLENOID

UNIT : mm  
SHOWN ENERGIZED



WEIGHT : 48g  
PLUNGER: 8g



FRAME THK. 1.6mm POSSIBLE EXTRUSION: LESS THAN 0.5mm

Open Frame Solenoids

## COIL DATA

without heat sink

type no.	resistance $\Omega \pm 10\%$ (at 20°C)	no. turns	volts DC				
			duty cycle = $\frac{\text{"on" time}}{\text{"on" time} + \text{"off" time}} \times 100\%$	100% continuous	50% or less	25% or less	10% or less
			MAX. "on" time in seconds	$\infty$	100	36	7
			watts at 20°C	2.5	5.0	10.0	25.0
ampere-turns at 20°C	389	550	778	1230			
SK0730C06AA	14	990	6	8.5	12	19	
SK0730C12AA	58	1925	12	17	24	38	
SK0730C24AA	230	3730	24	34	48	76	
SK0730C48AA	922	7300	48	68	96	152	