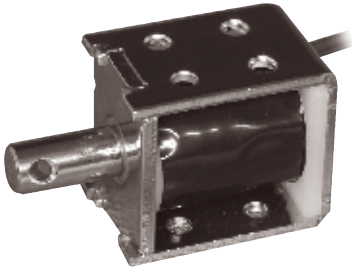
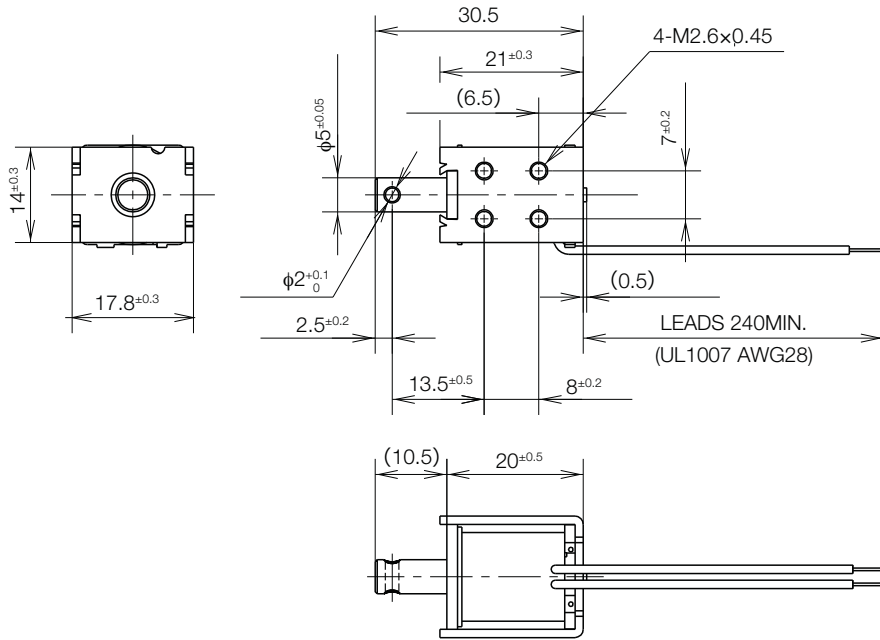
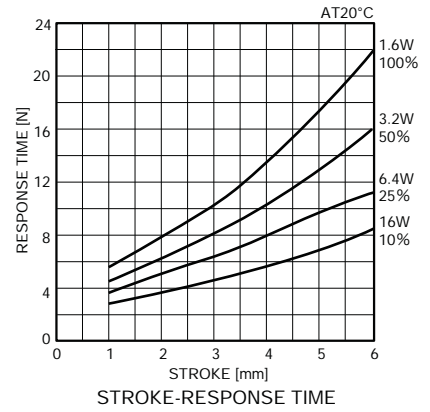
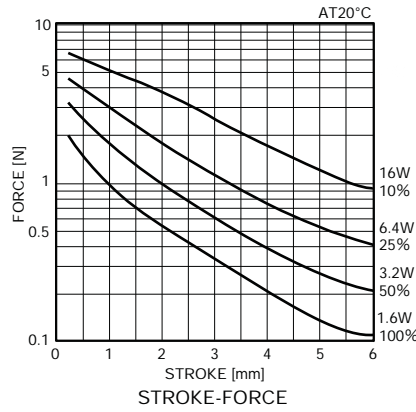


SK0520A OPEN FRAME SOLENOID

UNIT : mm
SHOWN ENERGIZED



WEIGHT : 22g
PLUNGER: 4g



FRAME THK. 1.2mm POSSIBLE EXTRUSION: LESS THAN 0.3mm

COIL DATA

				without heat sink			
	duty cycle= $\frac{\text{"on" time}}{\text{"on" time} + \text{"off" time}} \times 100\%$		100% continuous	50% or less	25% or less	10% or less	
	MAX. "on" time in seconds		∞	55	19	3	
	watts at 20°C		1.6	3.2	6.4	16.0	
	ampere-turns at 20°C		300	424	600	948	
type no.	resistance Ω±10%(at 20°C)	no. turns	volts DC				
SK0520A06AA	23	1150	6	8.5	12	19	
SK0520A12AA	90	2290	12	17	24	38	
SK0520A24AA	360	4500	24	34	48	76	
SK0520A48AA	1440	8600	48	68	96	152	