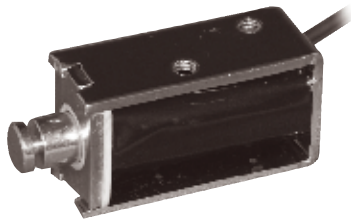
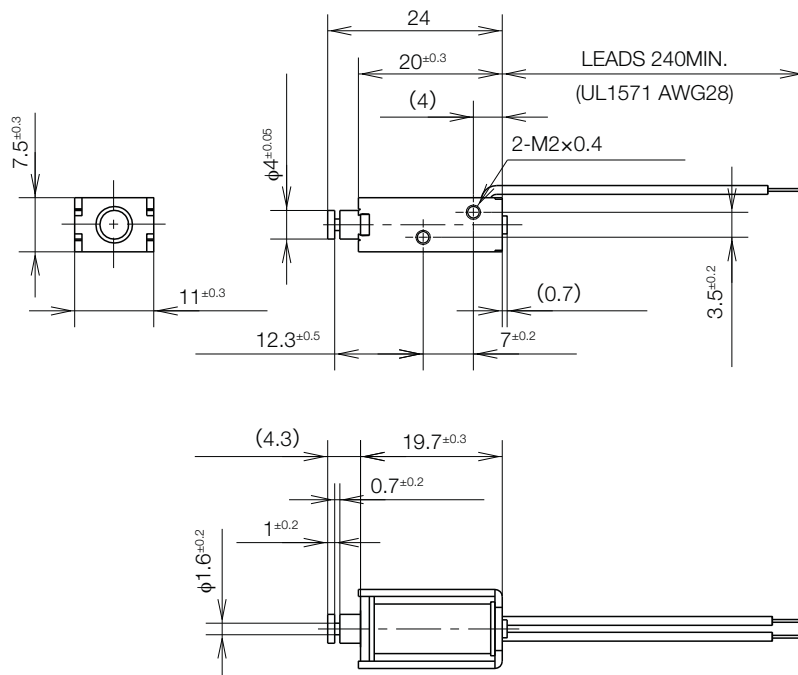
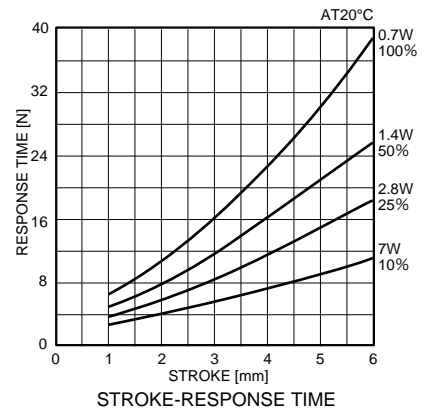
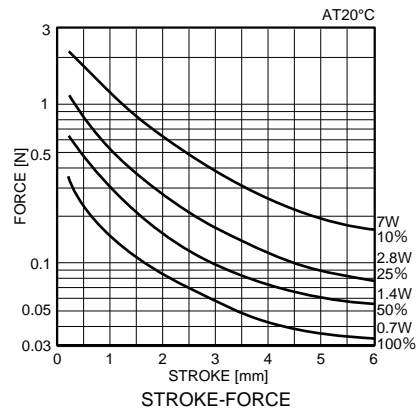


SK0420F OPEN FRAME SOLENOID

UNIT : mm
SHOWN ENERGIZED



WEIGHT : 8g
PLUNGER: 2g



FRAME THK. 1.0mm POSSIBLE EXTRUSION: LESS THAN 0.3mm

Open Frame Solenoids

COIL DATA

without heat sink

	duty cycle = $\frac{\text{"on" time}}{\text{"on" time} + \text{"off" time}} \times 100\%$		100% continuous	50% or less	25% or less	10% or less
	MAX. "on" time in seconds		∞	50	18	2
	watts at 20°C		0.7	1.4	2.8	7.0
	ampere-turns at 20°C		119	168	238	376
type no.	resistance $\Omega \pm 10\%$ (at 20°C)	no. turns	volts DC			
SK0420F06AA	51	1100	6	8.5	12	19
SK0420F12AA	205	2120	12	17	24	38
SK0420F24AA	823	4100	24	34	48	76
SK0420F48AA	3291	8100	48	68	96	152