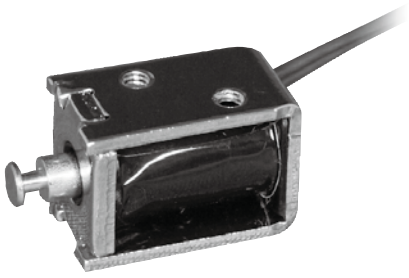
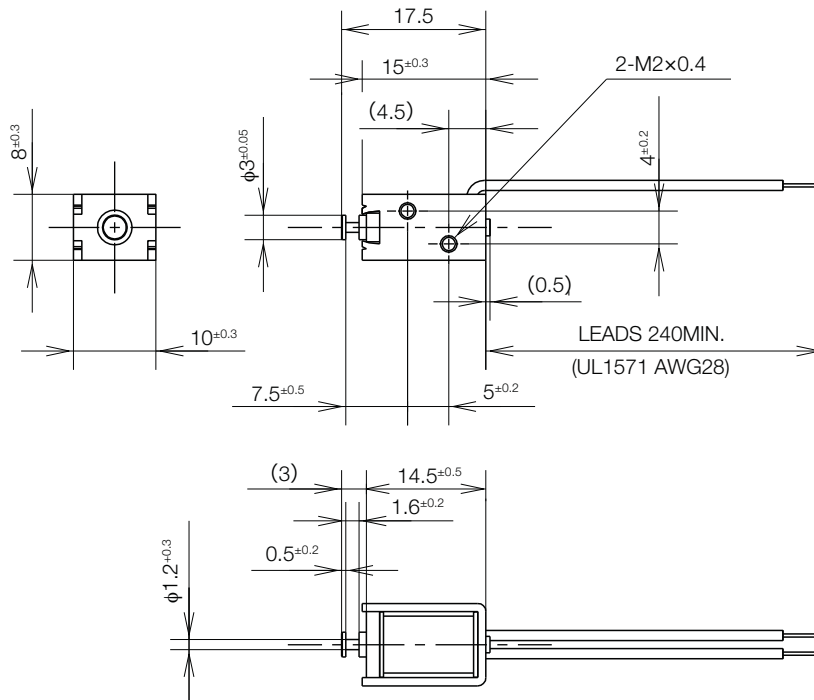
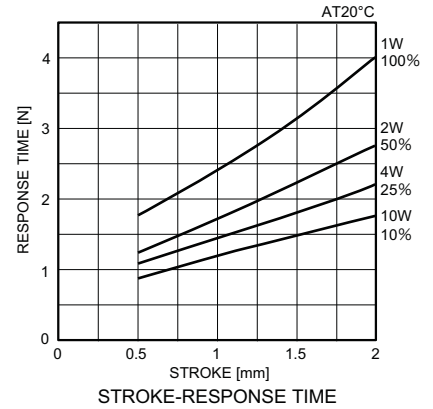
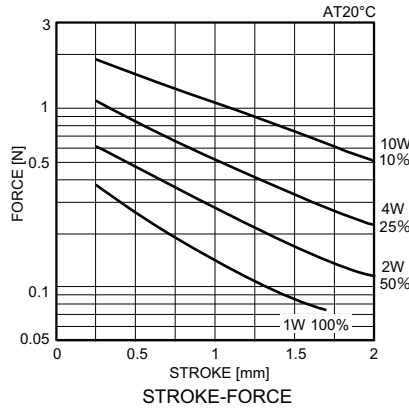


# SK0315A OPEN FRAME SOLENOID

UNIT : mm  
SHOWN ENERGIZED



WEIGHT : 5g  
PLUNGER: 1g



FRAME THK. 1.0mm POSSIBLE EXTRUSION: LESS THAN 0.3mm

## COIL DATA

		without heat sink				
	duty cycle= $\frac{\text{"on" time}}{\text{"on" time} + \text{"off" time}} \times 100\%$	100% continuous	50% or less	25% or less	10% or less	
	MAX. "on" time in seconds	∞	50	18	2	
	watts at 20°C	1.0	2.0	4.0	10.0	
	ampere-turns at 20°C	140	198	280	442	
type no.	resistance $\Omega \pm 10\%$ (at 20°C)	no. turns	volts DC			
SK0315A06AA	36	920	6	8.5	12	19
SK0315A12AA	144	1750	12	17	24	38
SK0315A24AA	576	3370	24	34	48	76
SK0315A48AA	2304	6700	48	68	96	152