

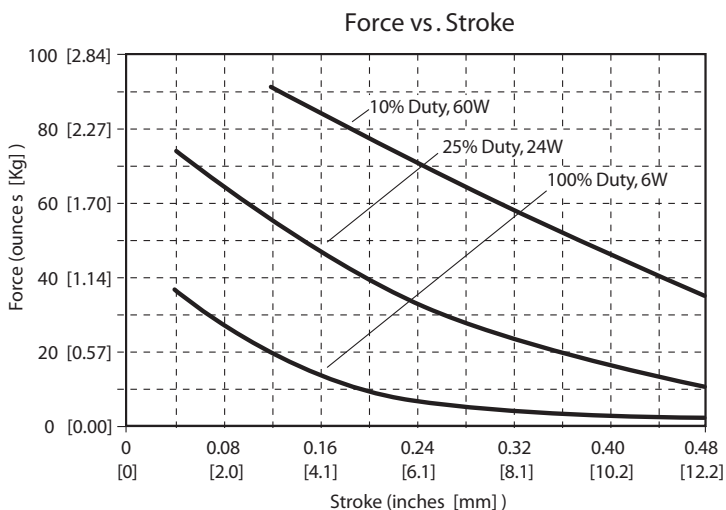
SD1253N
 (Previously SDN3457)
Pull Type
Open Frame Solenoid
 1.06" W × 1.18" H × 2.09" L
 (27mm × 30mm × 53mm)



Specifications:

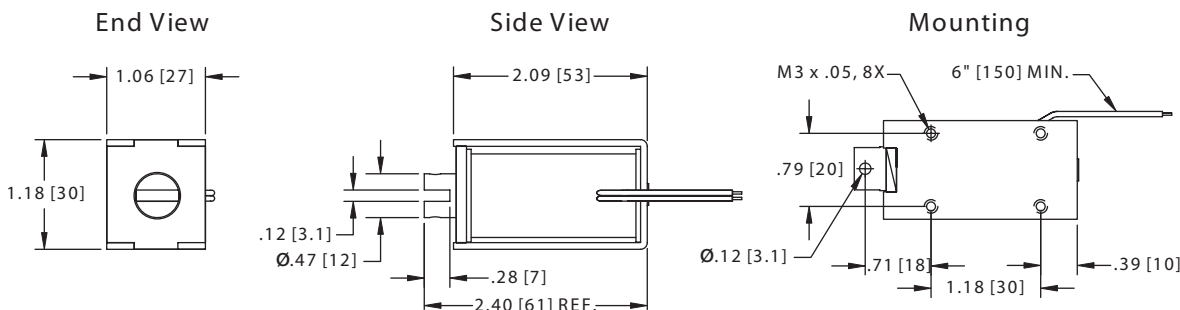
- Operation: Pull
- Insulation: Class "A" (105°C) standard*
- Coil Termination: 24AWG flying leads per drawing*
- Plunger linkage: Slot and cross-drilled*
- Plunger pole face: 60° conical*
- Solenoid weight: 7.2oz [205g]
- Plunger weight: 1.4oz [39g]
- Dielectric Strength: 1000VAC for one minute
- Operating temperature range: -20°C to 40°C

* Other options available upon request



100% Duty — 6W			25% Duty — 24W		10% Duty — 60W	
Voltage (VDC)	Resistance (Ω)	Part Number	Resistance (Ω)	Part Number	Resistance (Ω)	Part Number
3	1.5	SD1253N0300	0.38	SD1253N0325	0.15	SD1253N0310
6	6.0	SD1253N0600	1.5	SD1253N0625	0.60	SD1253N0610
12	24.0	SD1253N1200	6.0	SD1253N1225	2.4	SD1253N1210
24	96.0	SD1253N2400	24.0	SD1253N2425	9.6	SD1253N2410

Typical force @20°C and nominal rated DC voltage. Resistance values ±10% @20°C. All data subject to change. Other voltages and duty cycles available upon request.



Notes: Solenoid shown in energized position. Dimensions listed are for reference only. Dimensions shown in inches and [mm].