

SD0740L

Pull Type, Open Frame,
Magnetic Latching Solenoid

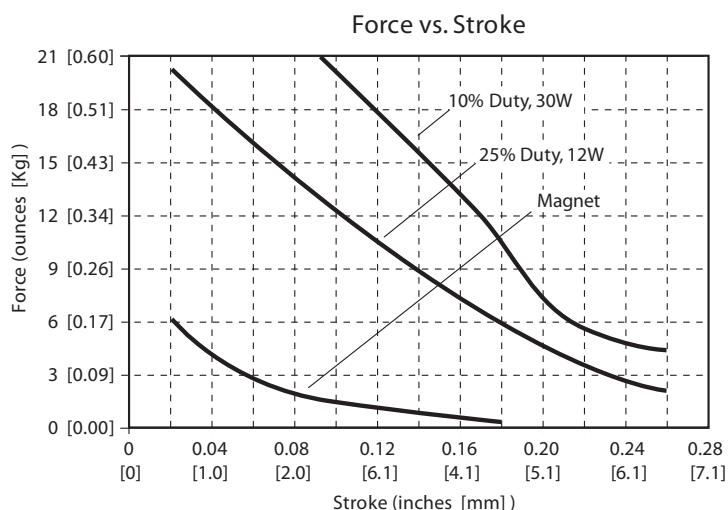
0.61" W × 0.75" H × 1.57" L
(15.6mm × 19mm × 40mm)



Specifications :

Operation: Pull
 Insulation: Class "A" (105°C) standard*
 Coil Termination: 26AWG flying leads per drawing*
 Plunger linkage: Slot and cross-drilled*
 Plunger pole face: 20° stepped conical*
 Solenoid weight: 1.3oz [37g]
 Plunger weight: 0.32oz [9g]
 Dielectric Strength: 1000VAC for one second
 Operating temperature range: -20°C to 40°C

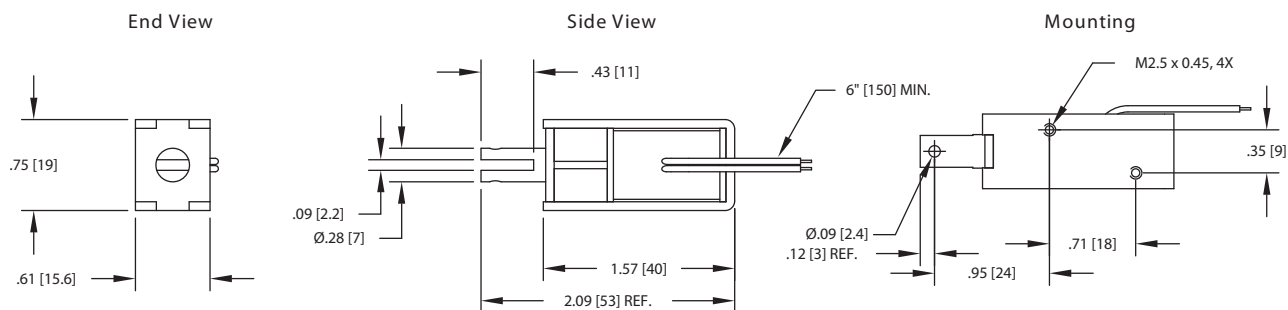
* Other options available upon request



Coil Data:

Voltage (VDC)	25% Duty — 12W		10% Duty — 30W	
	Resistance (Ω)	Part Number	Resistance (Ω)	Part Number
3	0.75	SD0740L0325	0.30	SD0740L0310
6	3.0	SD0740L0625	1.2	SD0740L0610
12	12.0	SD0740L1225	4.8	SD0740L1210
24	48.0	SD0740L2425	19.2	SD0740L2410

Typical force @20°C and nominal rated DC voltage. Resistance values ±10% @20°C. All data subject to change. Other voltages and duty cycles available upon request.



Notes: Solenoid shown in energized position. Dimensions listed are for reference only. Dimensions shown in inches and [mm].