

# SD0420N

## Pull Type Open Frame Solenoid

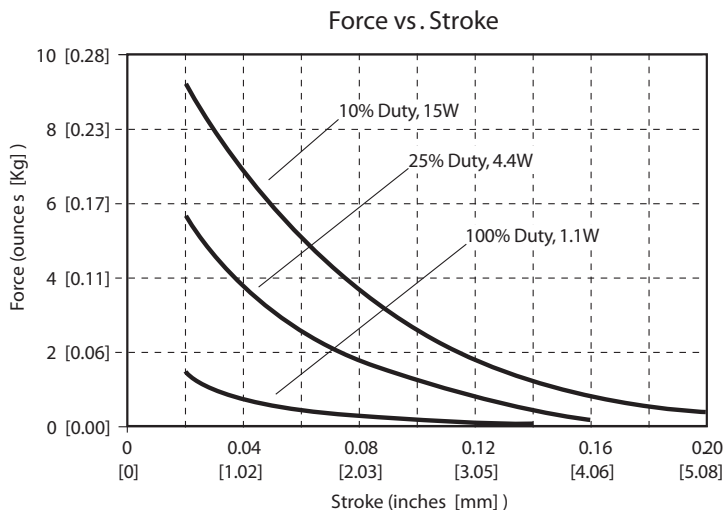
0.39" W × 0.43" H × 0.79" L  
(10mm × 11mm × 20mm)



### Specifications:

- Operation: ..... Pull
- Insulation: ..... Class "A" (105°C) standard\*
- Coil Termination: ..... 28AWG flying leads per drawing\*
- Plunger linkage: ..... Yoke slot\*
- Plunger pole face: ..... 38° conical\*
- Solenoid weight: ..... 0.35oz [10g]
- Plunger weight: ..... 0.07oz [2g]
- Dielectric Strength: ..... 1000VAC for one minute
- Operating temperature range: ..... -20°C to 40°C

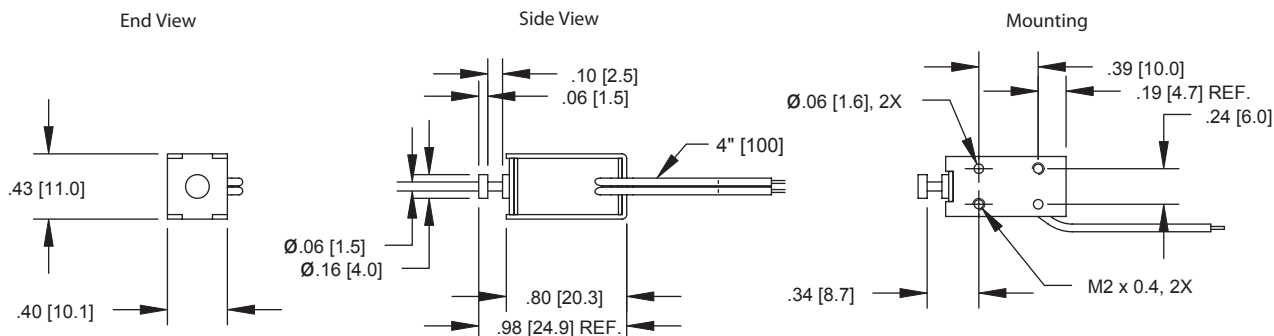
\* Other options available upon request



### Coil Data:

100% Duty — 1.1W			25% Duty — 4.4W		10% Duty — 15W	
Voltage (VDC)	Resistance (Ω)	Part Number	Resistance (Ω)	Part Number	Resistance (Ω)	Part Number
3	8.2	SD0420N0300	2.0	SD0420N0325	0.60	SD0420N0310
6	32.7	SD0420N0600	8.2	SD0420N0625	2.4	SD0420N0610
12	131	SD0420N1200	32.7	SD0420N1225	9.6	SD0420N1210
24	524	SD0420N2400	131	SD0420N2425	38.4	SD0420N2410

Typical force @20°C and nominal rated DC voltage. Resistance values ±10% @20°C. All data subject to change. Other voltages and duty cycles available upon request.



Notes: Solenoid shown in energized position. Dimensions listed are for reference only. Dimensions shown in inches and [mm].