

## Here is a quick guide to Bicron Solenoid part number selection and generation . . .

### SELECTING THE BEST SOLENOID

The Bicron solenoid part numbering system makes it simple to specify the solenoid that will best meet the requirements of your application. Referring to the chart below and to the solenoid specifications linked to the [www.Solenoid.com](http://www.Solenoid.com) home page, pick the solenoid you require, considering the following factors:

- Force** Take the force required in the application and multiply it by a safety factor of 1.5.
- Stroke** This is the distance that the solenoid plunger will pull or push your load.
- Duty Cycle** This can be calculated by taking the maximum time the solenoid will be on and the minimum time the solenoid will be off, then applying the following formula:
- $$\text{Duty Cycle (\%)} = \frac{\text{On Time}}{\text{On Time} + \text{Off Time}} \times 100$$
- Power** This is the total amount of power to be made available for operation of the solenoid.

### PART NUMBER SELECTION / GENERATION

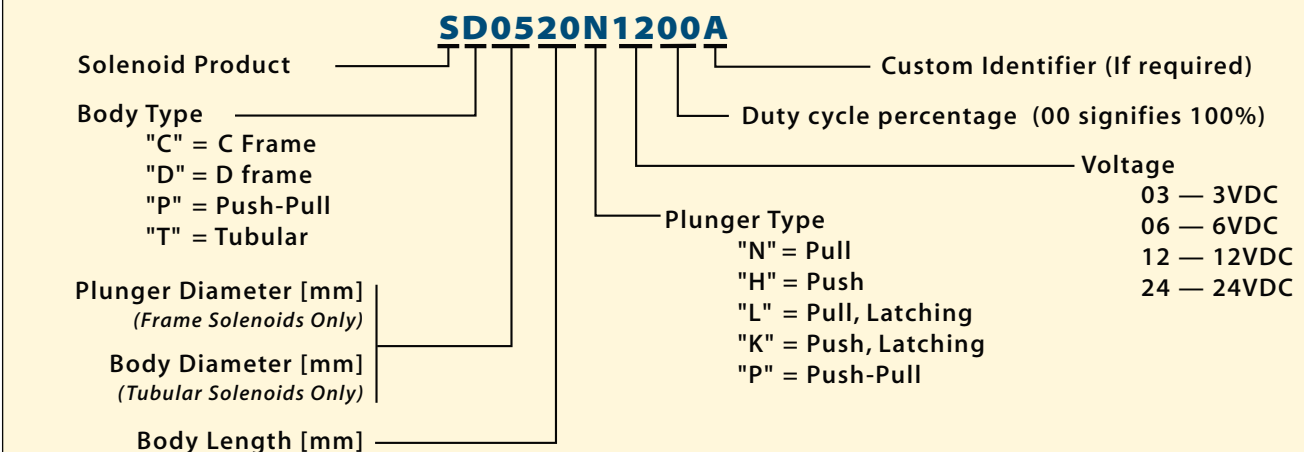
- (A) Pick the solenoid model you require from the solenoid brochure or web site tables, example: **SD1253N**.
- (B) Add the two digit voltage that you will be applying, example: **SD1253N12**
- (C) Add the intended solenoid duty cycle, example: **SD1253N1200**  
(00 denotes 100% duty. All other values are actual duty cycle percentages rounded to the nearest whole number. For example, 10.1 is rounded to 10)

### NEED BICRON'S HELP?

Our sales engineering and design staffs are experts in helping you quickly find the answer you need. We can give you the best and most economical solution, taking advantage of our years of practical experience specifying solenoids for thousands of applications. Our broad line of standard solutions is augmented by our "Modified Standards" and by our ability to design and manufacture completely custom solenoids and solenoid assemblies.

Call us at 860-824-5215 or toll-free at 800-624-2766.

### SOLENOID PART NUMBERING SYSTEM



**For more information, call 800-624-2766 or visit [www.solenoid.com](http://www.solenoid.com)**