

Size 490
Rotary Solenoid
 49mm \varnothing X 27mm (max)

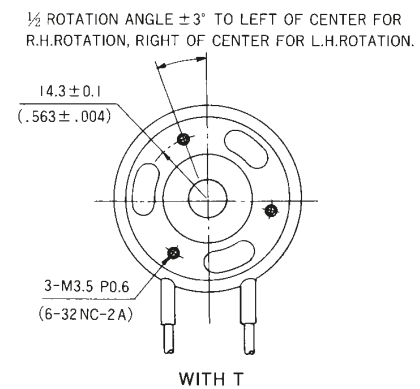
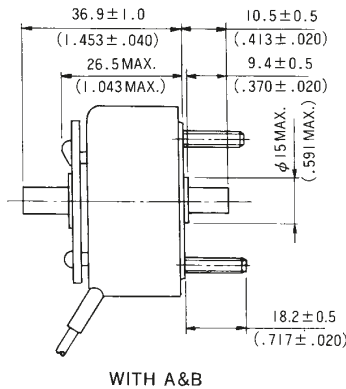
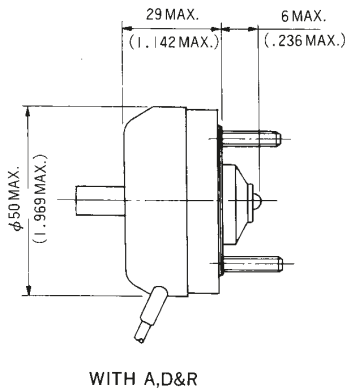
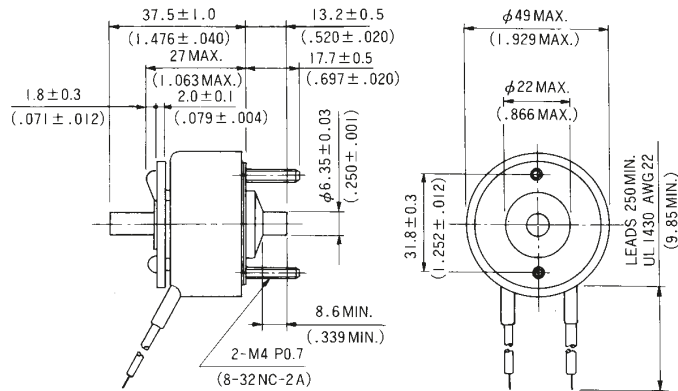


Weight (with A, B, D, R): 250g

Units: mm
(inch)
 Shown de-energized,
 Right Hand rotation

Standard Optional Features (contact Bicron for specific part numbers):

- A: Shaft extension on armature plate
- B: Shaft extension on base side
- D: Dust Cover over armature plate
- R: Return spring provided
- T: Tapped holes in armature plate



COIL DATA

Heat sink : 190X190X3mm aluminum

Return spring torque : 0.026~0.035 N·m

duty cycle = $\frac{\text{"on" time}}{\text{"on" time} + \text{"off" time}} \times 100\%$			100% continuous	75% or less	50% or less	25% or less	10% or less	
MAX. "on" time in seconds			∞	110	100	36	10	
watts at 20°C			21	28	42	84	210	
ampere-turns at 20°C			842	966	1190	1685	2660	
gross starting torque at 20°C (N·m)			25°	0.22	0.3	0.47	1.39	
			35°	0.104	0.15	0.24	0.84	
			45°	0.081	0.127	0.195	0.39	0.725
			67.5°	0.058	0.081	0.127	0.23	0.45
95°	0.022	0.035	0.046	0.098	0.185			
AWG no.	resistance $\Omega \pm 10\%$ (at 20°C)	no. turns	volts DC					
24	3.2	360	7.6	8.7	11	15	24	
25	4.91	440	9.5	11	13	19	30	
26	7.72	550	12	14	17	24	38	
27	11.1	636	15	17	21	30	48	
28	18.8	840	19	22	27	38	60	
29	30.5	1088	24	28	34	48	76	
30	44.9	1275	30	34	43	60	95	
31	70.9	1596	38	43	54	76	120	
32	109	1974	48	56	67	95	150	
33	175	2496	60	69	85	120	190	
34	270	3042	76	87	107	151	239	
35	414	3600	95	109	134	190	301	
36	610	4200	122	140	173	245	386	
37	940	5200	151	174	213	301	—	
38	1560	6820	190	219	268	379	—	