

# Size 341 Rotary Solenoid

34mm  $\varnothing$  X 21mm (max)



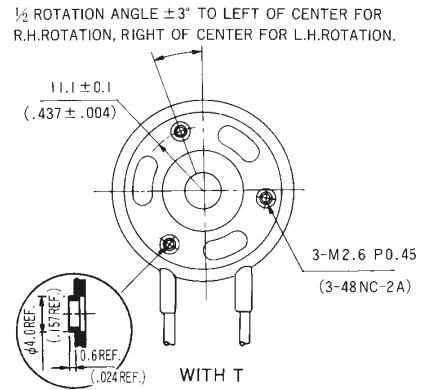
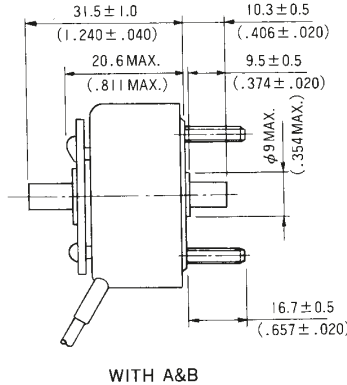
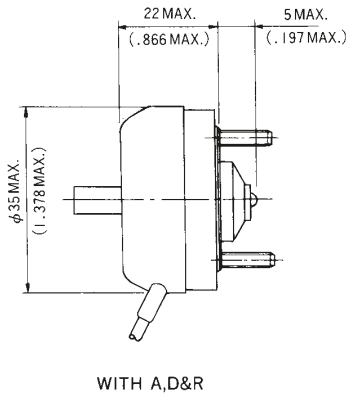
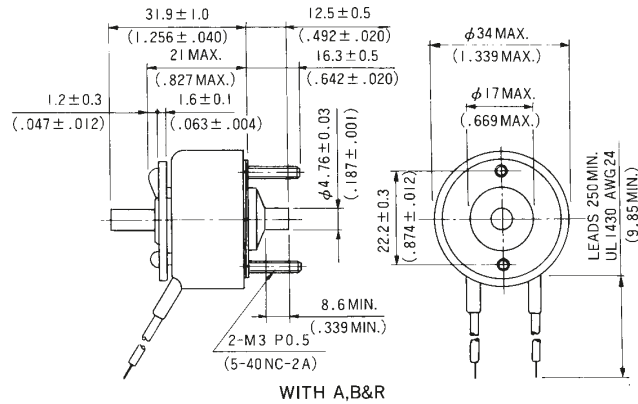
Units:  $\frac{\text{mm}}{\text{(inch)}}$

Shown de-energized,  
Right Hand rotation

Weight (with A, B, D, R): 97g

### Standard Optional Features (contact Bicron for specific part numbers):

- A: Shaft extension on armature plate
- B: Shaft extension on base side
- D: Dust Cover over armature plate
- R: Return spring provided
- T: Tapped holes in armature plate



### COIL DATA

Heat sink : 120×120×3mm aluminum

Return spring torque : 0.011~0.017 N·m

duty cycle = $\frac{\text{"on" time}}{\text{"on" time} + \text{"off" time}} \times 100\%$			100% continuous	75% or less	50% or less	25% or less	10% or less	
MAX. "on" time in seconds			$\infty$	107	100	36	8	
watts at 20°C			9	12	18	36	90	
ampere-turns at 20°C			535	618	756	1070	1690	
gross starting torque at 20°C (N·m)			25°	0.04	0.052	0.081	0.15	0.31
			35°	0.029	0.04	0.063	0.115	0.23
			45°	0.017	0.022	0.04	0.092	0.16
			67.5°	0.012	0.017	0.022	0.046	0.075
AWG no.	resistance $\Omega \pm 10\%$ (at 20°C)	no. turns	volts DC					
25	1.97	252	4.2	4.8	5.9	8.4	13	
26	3.26	328	5.3	6.1	7.5	11	17	
27	5.04	405	6.7	7.7	9.4	13	21	
28	8.02	510	8.4	9.7	12	17	26	
29	12.21	627	10	12	15	21	33	
30	19.2	780	13	15	19	26	42	
31	31.8	1008	17	19	24	33	53	
32	47	1215	21	24	30	42	66	
33	75.3	1530	26	31	37	53	84	
34	120.5	1900	33	38	47	67	105	
35	198	2486	42	48	59	84	133	
36	280	2700	53	61	75	106	167	
37	426	3350	67	77	94	133	210	
38	648	4050	84	97	118	168	264	
39	1020	5050	105	122	149	211	333	
40	1667	6590	133	153	187	265	419	