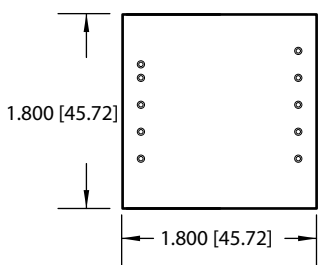
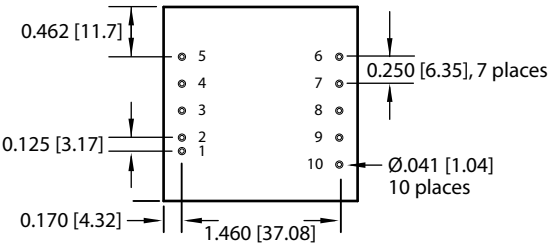
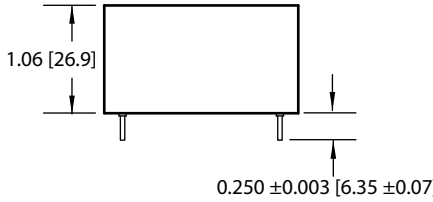
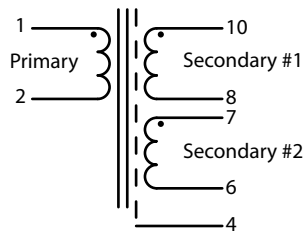
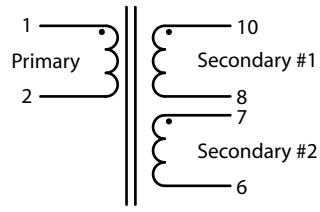
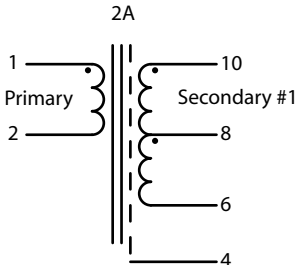
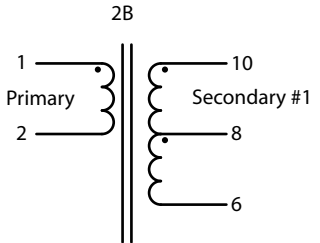
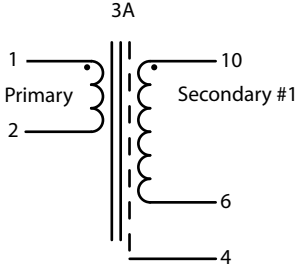
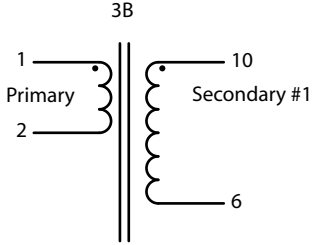


Input Voltage (VRMS) ($\pm 10\%$) See Table
 Frequency Range (KHz) See Table
 Output Power 40VA
 % Ripple** 5%
 Efficiency** 90%
 Temperature Class 130°C
 Ambient Temperature Range -40°C to +85°C
 Temperature Rise** 15°C

Primary Inductance (mH) Typical: See Table
 Dielectric Strength Tested: 2KVrms @60Hz.
 Primary and Shield to all Secondaries
 Partial Discharge (Corona) Tested: 3.3KVrms @60Hz.
 Primary and Shield to all Secondaries
 BIL Rating: 3KV

**Aproximate values (Contact us for defined limits)

Configuration Number	Schematic	Primary			Secondary
		Input (Vrms)	Inductance (mH—Typ.)	Frequency Range KHz	Output (Vrms) @Arms
BB3300-36-18-18	1A/1B	36	2.88	10-50	18.0 @ 2.222
BB3300-36-18-0	2A/2B				18.0 @ 2.222
BB3300-36-18-0	3A/3B				18.0 @ 2.222
BB3300-48-18-18	1A/1B	48	3.43		18.0 @ 2.222
BB3300-48-18-0	2A/2B				18.0 @ 2.222
BB3300-48-18-0	3A/3B				18.0 @ 2.222
BB3300-100-18-18	1A/1B	100	4.65		18.0 @ 2.222
BB3300-100-18-0	2A/2B				18.0 @ 2.222
BB3300-100-18-0	3A/3B				18.0 @ 2.222
BB3301-36-18-18	1A/1B	36	1.22	50-100	18.0 @ 2.222
BB3301-36-18-0	2A/2B				18.0 @ 2.222
BB3301-36-18-0	3A/3B				18.0 @ 2.222
BB3301-48-18-18	1A/1B	48	1.33		18.0 @ 2.222
BB3301-48-18-0	2A/2B				18.0 @ 2.222
BB3301-48-18-0	3A/3B				18.0 @ 2.222
BB3301-100-18-18	1A/1B	100	1.55		18.0 @ 2.222
BB3301-100-18-0	2A/2B				18.0 @ 2.222
BB3301-100-18-0	3A/3B				18.0 @ 2.222
BB3302-36-18-18	1A/1B	36	0.60	100-250	18.0 @ 2.222
BB3302-36-18-0	2A/2B				18.0 @ 2.222
BB3302-36-18-0	3A/3B				18.0 @ 2.222
BB3302-48-18-18	1A/1B	48	0.66		18.0 @ 2.222
BB3302-48-18-0	2A/2B				18.0 @ 2.222
BB3302-48-18-0	3A/3B				18.0 @ 2.222
BB3302-100-18-18	1A/1B	100	0.80		18.0 @ 2.222
BB3302-100-18-0	2A/2B				18.0 @ 2.222
BB3302-100-18-0	3A/3B				18.0 @ 2.222

Dimensions	Schematics
<p style="text-align: center;"><u>Top View</u></p>  <p style="text-align: center;"><u>Bottom View</u></p>  <p style="text-align: center;"><u>Side View</u></p>  <p style="text-align: center;">All measurements in inches and [mm]</p>	<div style="display: flex; flex-wrap: wrap;"> <div style="width: 50%;"> <p style="text-align: center;">1A</p>  </div> <div style="width: 50%;"> <p style="text-align: center;">1B</p>  </div> <div style="width: 50%;"> <p style="text-align: center;">2A</p>  </div> <div style="width: 50%;"> <p style="text-align: center;">2B</p>  </div> <div style="width: 50%;"> <p style="text-align: center;">3A</p>  </div> <div style="width: 50%;"> <p style="text-align: center;">3B</p>  </div> </div>